

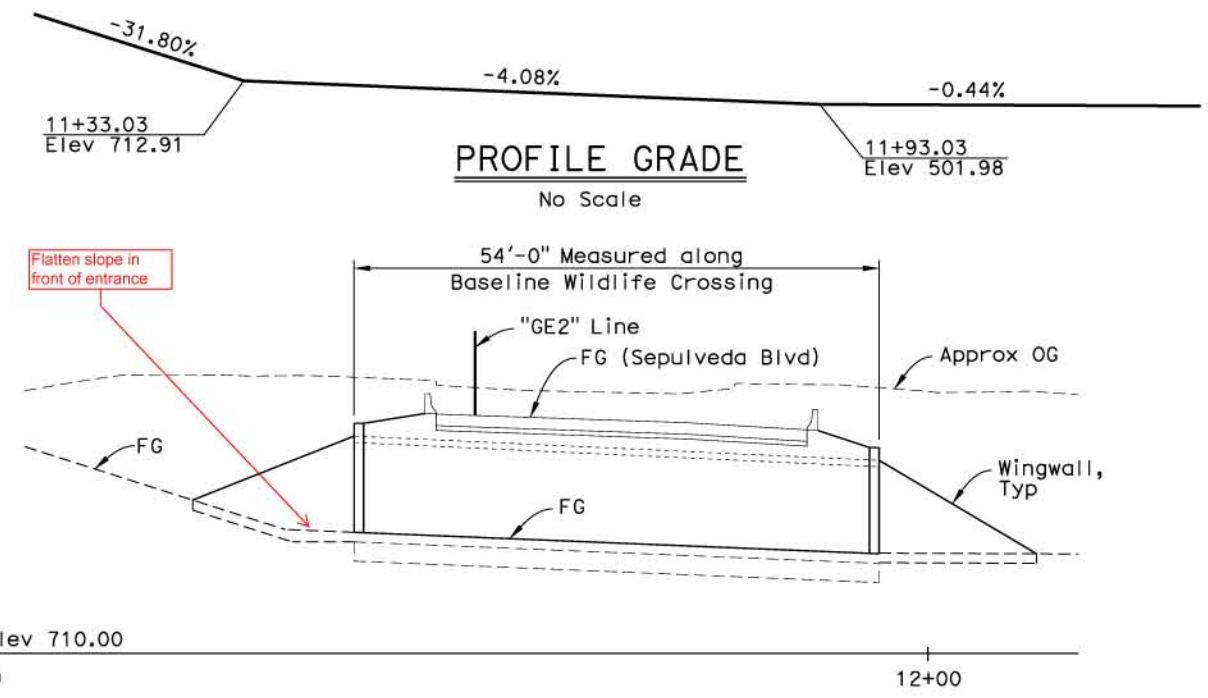
| DIST | COUNTY | ROUTE | POST MILES TOTAL PROJECT | SHEET No | TOTAL SHEETS |
|------|--------|-------|--------------------------|----------|--------------|
| 07 | LA | 405 | 29.1/39.0 | | |

REGISTERED CIVIL ENGINEER DATE _____
 PLANS APPROVAL DATE _____
 The State of California or its officers or agents shall not be responsible for the accuracy or completeness of electronic copies of this plan sheet.

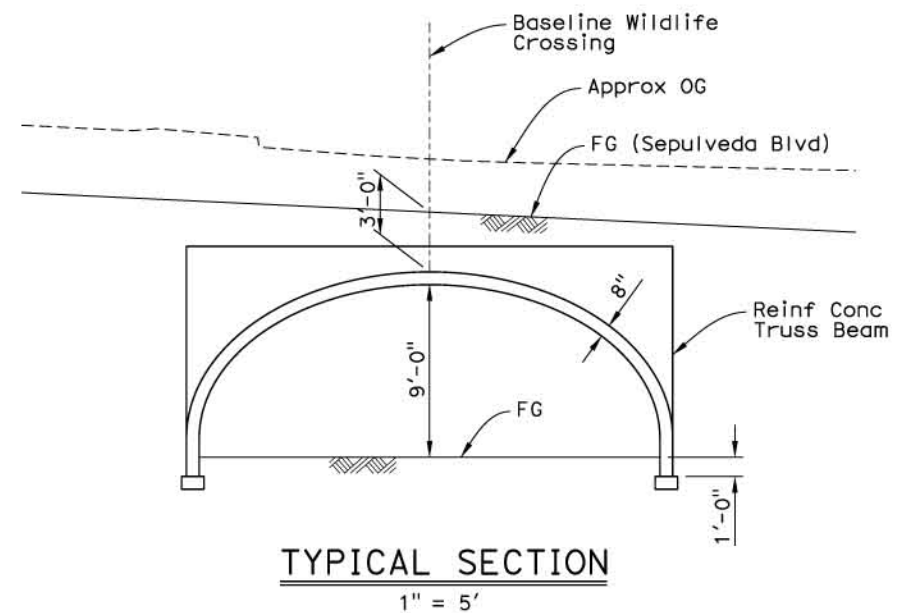
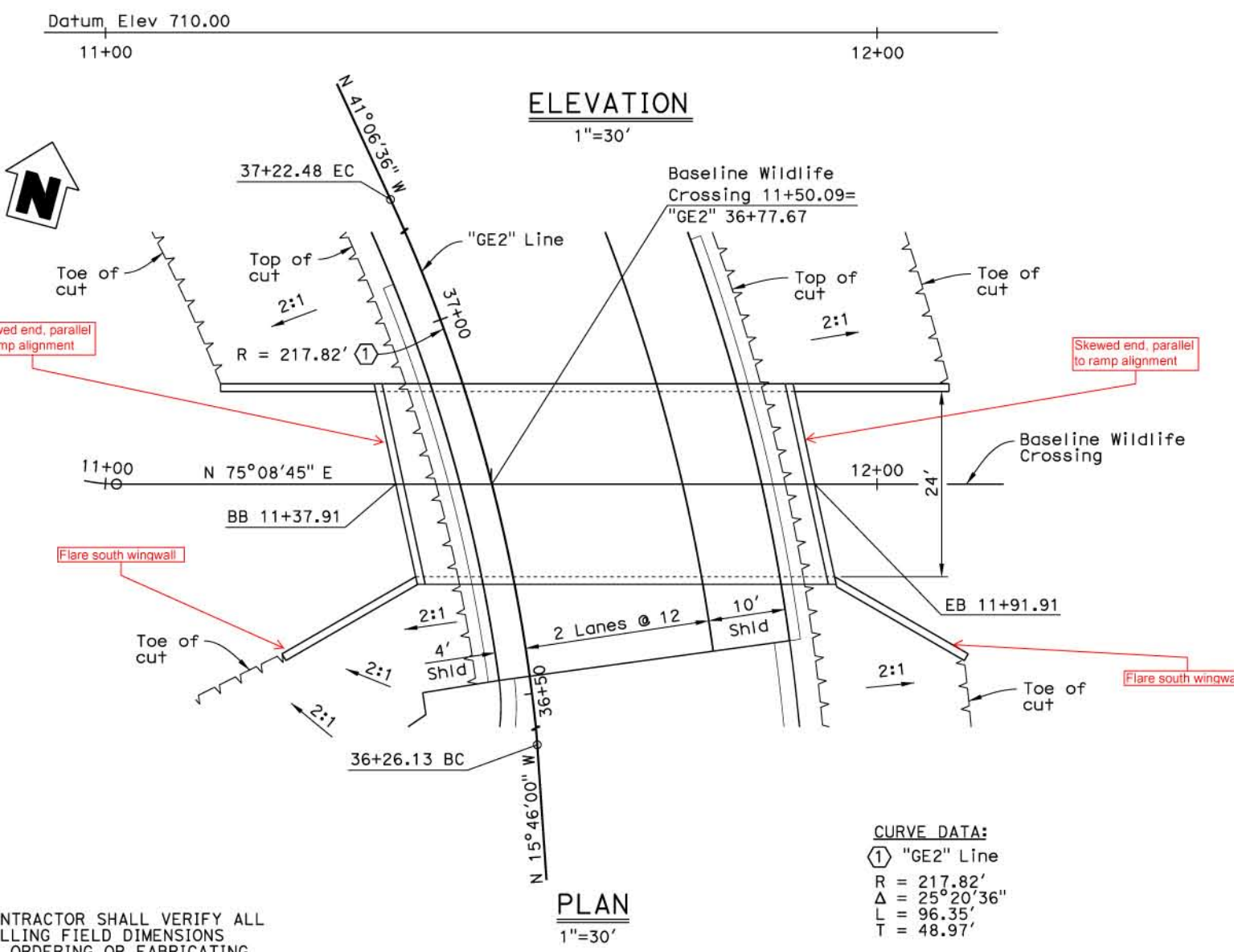


LA COUNTY METROPOLITAN TRANSPORTATION AUTHORITY
 ONE GATEWAY PLAZA
 LOS ANGELES, CA 90012
 HNTB CORPORATION
 6060 CENTER DRIVE SUITE 200
 LOS ANGELES, CA 90045

Agenda Item 14 SMMC 7/26/10



Not shown on this sheet, but Design/Build Team will keep proposed lighting away from proposed wildlife crossing.



- Vehicular Traffic**
- ___ New alignment. No traffic at the site.
 - ___ Traffic will be detoured away from the site.
 - ___ Traffic will be carried on the structure. Stage construction will/will not be required.
 - ___ Traffic will pass under the structure on _____ (Name of St. or Hwy.)
 - ___ No falsework allowed over traffic.
 - ___ Falsework opening(s) required:

| Temporary Vertical Clearance | Width of Traffic Opening |
|------------------------------|--------------------------|
| ___ Bnd _____ | ___ |
| ___ Bnd _____ | ___ |
| ___ Two-way _____ | ___ |
 - ___ Temporary traffic lane reduction needed for footing excavation.
- Pedestrian Traffic**
- Falsework opening required on _____ (Name of St.)
 Location _____ Height _____ Width _____
- Railroad Traffic**
- Falsework opening required over _____ (Name of RR)
 Vertical Clearance _____ Horizontal Clear _____
 Width _____

NOTE:
 THE CONTRACTOR SHALL VERIFY ALL CONTROLLING FIELD DIMENSIONS BEFORE ORDERING OR FABRICATING ANY MATERIAL.

CURVE DATA:
 ① "GE2" Line
 R = 217.82'
 Δ = 25°20'36"
 L = 96.35'
 T = 48.97'

| | | | | | | | | | | |
|--|------------|---------------|---------|---------------------------------|---|--|-----------------------|---|---|---------------------|
| KOOKJOON AHN DESIGN OVERSIGHT | DESIGN | BY J. MOORE | CHECKED | LOAD & RESISTANCE FACTOR DESIGN | LIVE LOADING: "HL93 W/'LOW-BOY' AND PERMIT DESIGN LOAD" | PREPARED FOR THE STATE OF CALIFORNIA DEPARTMENT OF TRANSPORTATION | BRIDGE NO. | WILDLIFE ANIMAL CROSSING | | |
| | DETAILS | BY N. MORALES | CHECKED | LAYOUT | BY N. MORALES | | CHECKED | | POST MILES | GENERAL PLAN |
| SIGN OFF DATE | QUANTITIES | BY | CHECKED | SPECIFICATIONS | BY | PLANS AND SPECS COMPARED | | | | |
| DESIGN GENERAL PLAN SHEET (ENGLISH) (REV. 2/25/05) | | | | | | ORIGINAL SCALE IN INCHES FOR REDUCED PLANS | CU 07242 EA 120301 | DISREGARD PRINTS BEARING EARLIER REVISION DATES | REVISION DATES (PRELIMINARY STAGE ONLY) | SHEET 1 OF 1 |

USERNAME => nmorales DATE PLOTTED => 28-FEB-2010 TIME PLOTTED => 19:07